

ASSEMBLY CRANE

with parallel chassis



7-3000ZP




Are you looking for a simple, good value assembly crane with a larger outreach than a small lightweight crane?

This assembly crane boasts excellent value for money!

At a glance

LIFTING		DRIVING		OPERATING FREQUENCY	
manual	✓	manual	✓	up to 10 times per month	✗
Compact hydraulic system	✗	Steering handle	✓	up to 25 times per month	✓
Hydrobull pump	✗	FaPo	✗	up to 100 times per month	✗
electric	✗	electric	✗	more than 100 times per month	✗

LIFTING CAPACITY WITH HORIZONTAL JIB		CHASSIS SHAPE	
 max. 3000 kg	✓	parallel	✓
600 kg at 550 mm in front of the wheels	✓	splayed	✗
		foldable	✗
		dismountable	✓

ASSEMBLY CRANE

with parallel chassis

7-3000ZP

These low-cost assembly cranes with a simple design and parallel chassis can move loads around.

✦ LIFTING

Via a single-acting hydraulic pump with vertical hand lever.

✦ LOWERING

Via a finely adjustable drain valve, which must be closed to end the lowering process.

✦ DRIVING

Manually by pulling and pushing on a steering handle. The steering handle can be fixed vertically for idle periods.

✦ JIB

Has eight settings, which can be easily selected via the painted telescopic jib using a socket pin system.

✦ PARKING

With locking device on the steering wheel

✦ COLLAPSIBLE

This machine has the special feature that the column and the jib can be released using socket pins and can be collapsed on the chassis for idle times.



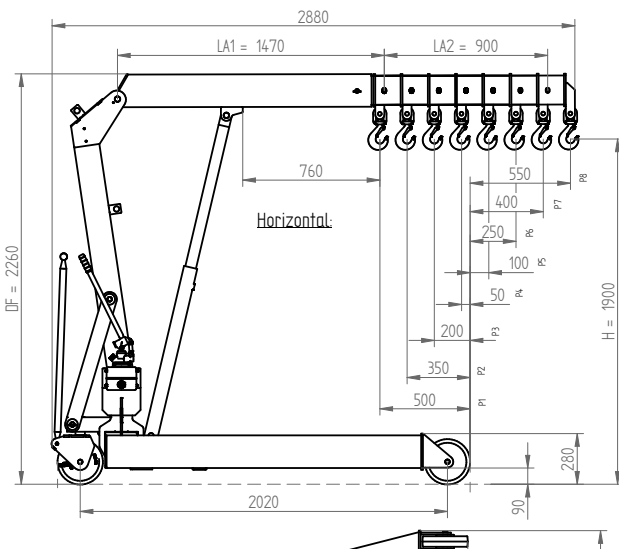
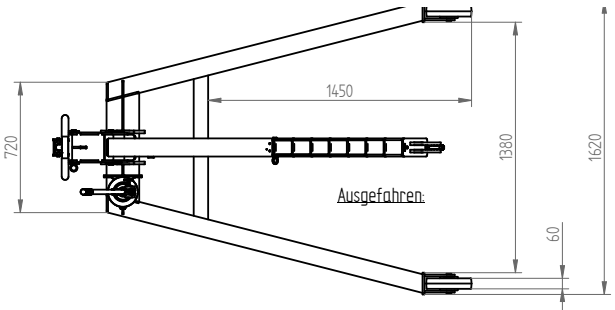
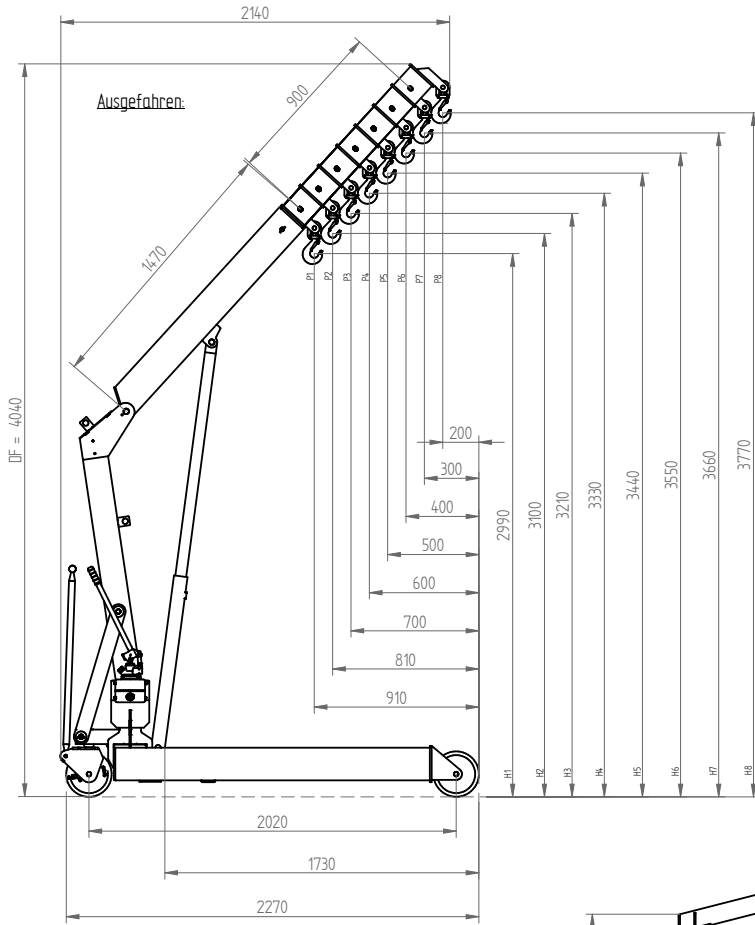
Due to the individual weights, two persons or a lifting aid may be required to assemble and fold the crane.

✦ OTHER

- Tested by us and recommended for occasional use (SF recommended)
- Delivery incl. CE declaration and according to UVV and BGV-BGR 500
- **2 Year Warranty**

The crane is designed to move under load. We recommend our Hydrobull industrial cranes for longer journeys – especially with a load or regular work, or for several lifting operations in succession.

Technical Drawings



Subject to technical modifications. Data subject to manufacturing tolerances.

Technical specifications

RATIO LIFTING CAPACITY, OUTREACH, LIFTING HEIGHT

Jib Position	Lifting capacity/kg	Load with horizontal jib/mm		Lift height*/mm	
		in front of the hydraulic system approx.	in front of the wheels approx.	min.	max.
1	3000	760	0	900	2990
2	2700	910	0	790	3100
3	2100	1060	0	680	3210
4	1400	1210	0	560	3330
5	1050	1360	100	450	3440
6	850	1510	250	340	3550
7	700	1660	400	230	3660
8	600	1810	550	120	3770

* at hook mouth opening - please refer to the diagram for the reduced outreach

OTHER DETAILS

		min.	max.
Horizontal jib length from... to...	mm	1470	2370
Wheel distance	mm		2030
Width of chassis external	mm		1420
Width of chassis internal	mm		1180
Clearance height, jib horizontal	mm		2260
Lift height	mm	900	2400
Hook length	mm		240
Wheel diameter	mm		250
Clearance	mm		280
Ground clearance	mm		90
Crane tare weight	kg		320

** Machine can only be used when installed



**Not the right machine?
No problem!**

Fill out our form on
www.hydrobull.de and we
will happily produce a
custom transport solution for you.

Link to www.hydrobull.de

Here, you can find more
information incl. videos,
photos etc.

