

ASSEMBLY CRANE

with counterweight



7-1000GK




Are you looking for a simple, good value assembly crane with counterweight?

This assembly crane boasts excellent value for money!

At a glance

LIFTING		DRIVING		OPERATING FREQUENCY	
manual	✓	manual	✓	up to 10 times per month	✗
Compact hydraulic system	✗	Steering handle	✓	up to 25 times per month	✓
Hydrobull pump	✗	FaPo	✗	up to 100 times per month	✗
electric	✗	electric	✗	more than 100 times per month	✗

LIFTING CAPACITY WITH HORIZONTAL JIB	
 max. 1000 kg	✓
370 kg at 1790 mm in front of the wheels	✓

Link to www.hydrobull.de

Here, you can find more information incl. videos, photos etc.



These low-cost assembly cranes with a simple design and permanently welded counterweight box can directly approach loads as the chassis is shifted to the rear. They are designed for occasional use.

🔸 LIFTING

Via a single-acting hydraulic pump with vertical hand lever.

🔸 LOWERING

Via a finely adjustable drain valve, which must be closed to end the lowering process.

🔸 DRIVING

Manually by pulling and pushing on a steering handle. The steering handle can be fixed vertically for idle periods.

🔸 JIB

Has seven settings, which can be easily selected via the painted telescopic jib using a socket pin system.

🔸 PARKING

With locking device on the steering wheel

🔸 COUNTERWEIGHT

ATTENTION!

Only use with filled box!

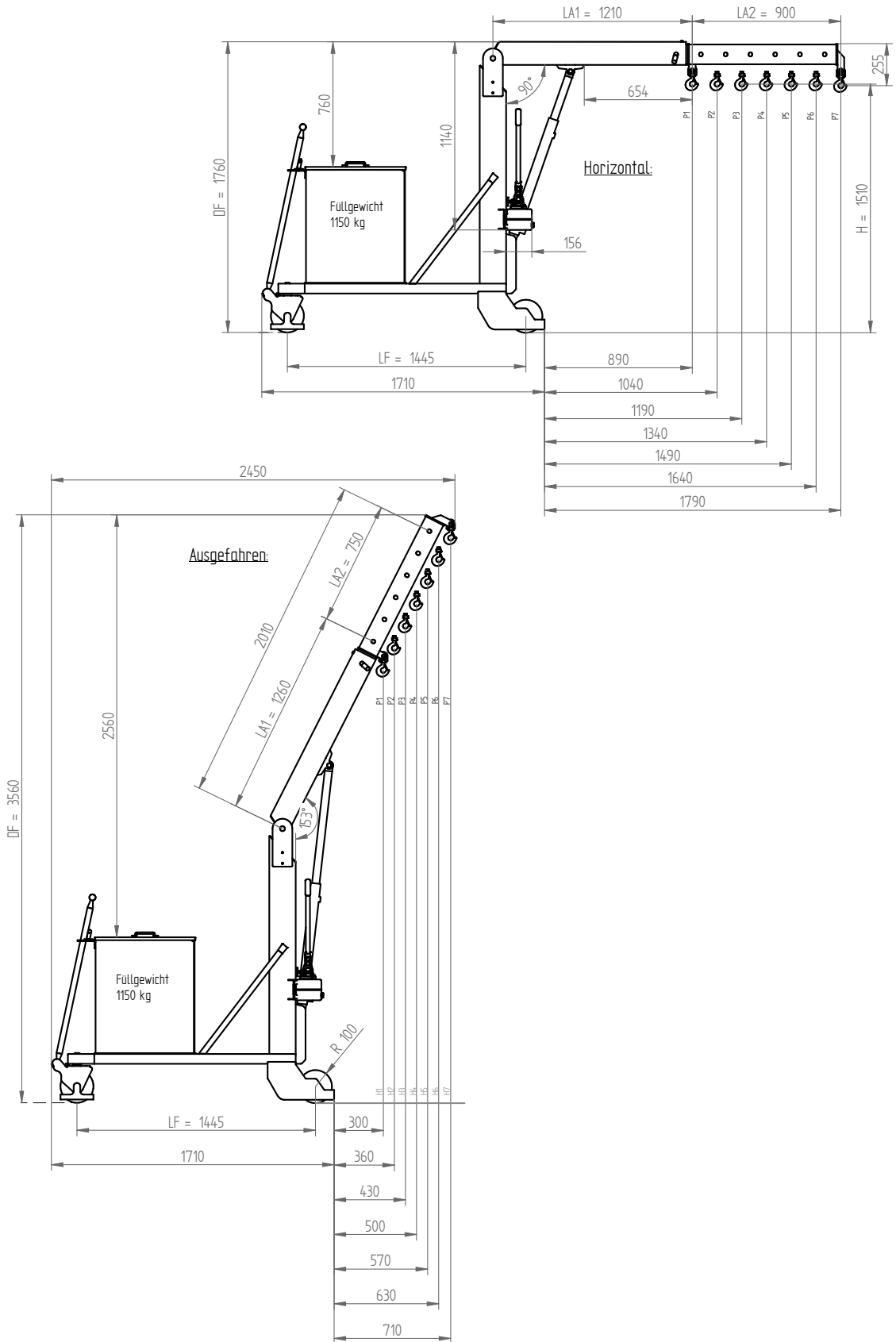
You can fill the box with steel plates yourself or we can do it for you. The counterweight block is delivered separately and must be lifted into the counterweight box on the crane with suitable lifting gear.

🔸 OTHER

- Tested by us and recommended for occasional use (SF recommended)
- Delivery incl. CE declaration and according to UVV and BGV-BGR 500
- **2 Year Warranty**

The crane is designed to move under load. We recommend our Hydrobull industrial cranes for longer journeys – especially with a load or regular work, or for several lifting operations in succession.

Technical Drawings



Subject to technical modifications. Data subject to manufacturing tolerances.

Technical specifications

RATIO LIFTING CAPACITY, OUTREACH, LIFTING HEIGHT

Jib	Lifting capacity/kg	Load with horizontal jib/mm		Lift height*/mm	
		in front of the hydraulic system approx.	in front of the wheels approx.	min.	max.
1	1000	654	890	970	2620
2	850	804	1040	895	2760
3	660	954	1190	820	2890
4	610	1104	1340	745	3020
5	520	1254	1490	670	3160
6	430	1404	1640	595	3290
7	370	1554	1790	520	3420

* at hook mouth opening - please refer to the diagram for the reduced outreach

OTHER DETAILS

		min.	max.
Horizontal jib length from... to...	mm	1210	2110
Wheel distance	mm		1445
Width of chassis external	mm		800
Width of chassis internal	mm		650
Clearance height, jib horizontal	mm		1760
Lift height	mm	970	2400
Hook length	mm		120
Wheel diameter	mm		200
Clearance	mm		240
Ground clearance	mm		20
Crane tare weight	kg		300
required counterweight	kg		1150

** Machine can only be used when installed



Not the right machine? No problem!

Fill out our form on www.hydrobull.de and we will happily produce a custom transport solution for you.