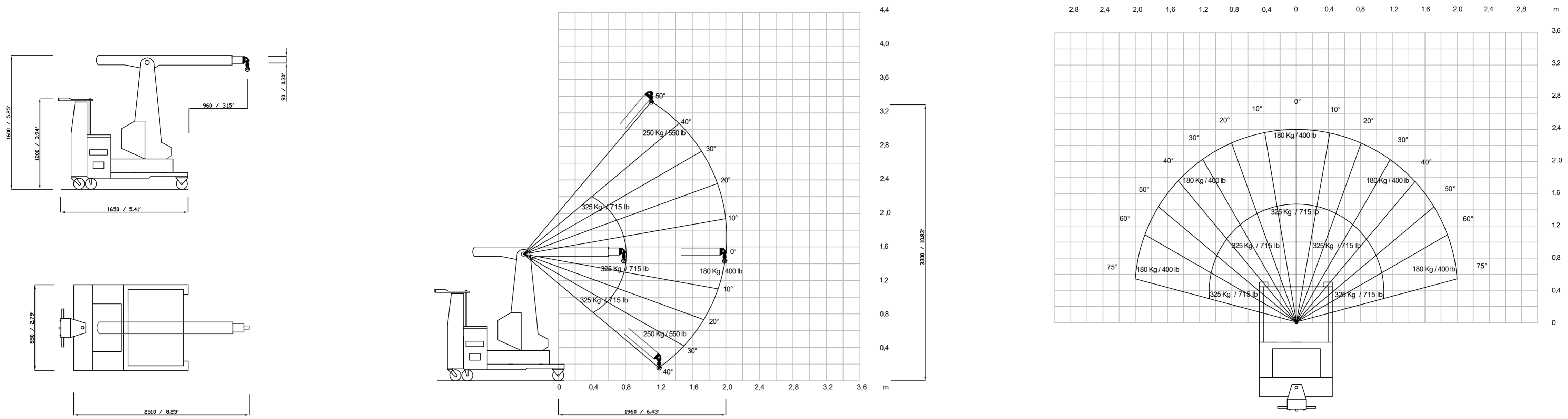


ELECTRO HYDRAULIC CRANE MODEL GB 300 TR

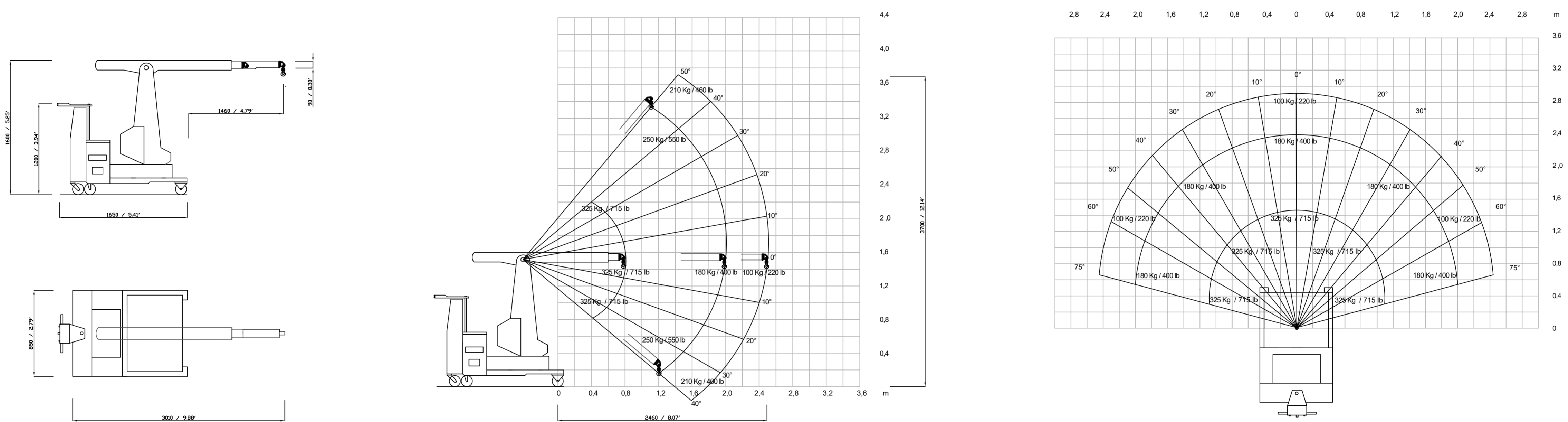
CONFIGURATION N° 1: GB 300 BASIC VERSION

- Max. capacity 325 Kg / 715 lb
- Max. telescopic extension 1.960 mm / 6.43'
- Winch: no



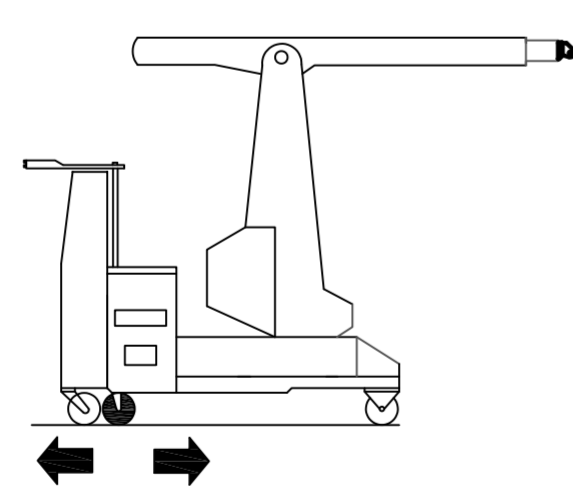
CONFIGURATION N° 2: GB 300 BASIC VERSION + OPTION SP002 / SP003

- Max. capacity 300 Kg / 715 lb
- Max. telescopic extension 2.460 mm / 8.07'
- Winch: no

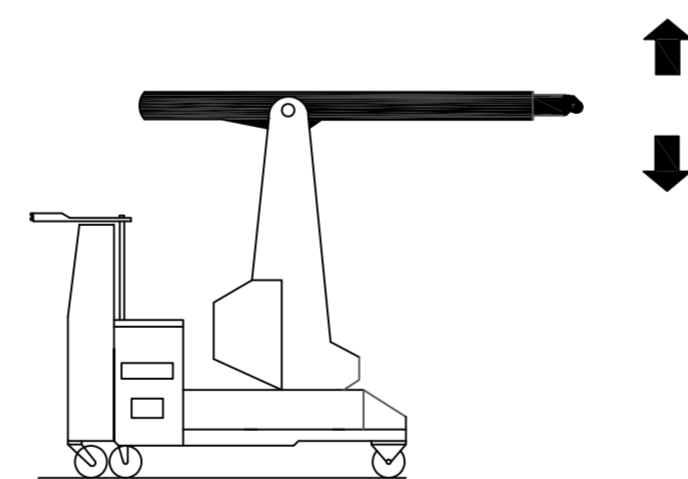


MOVEMENTS

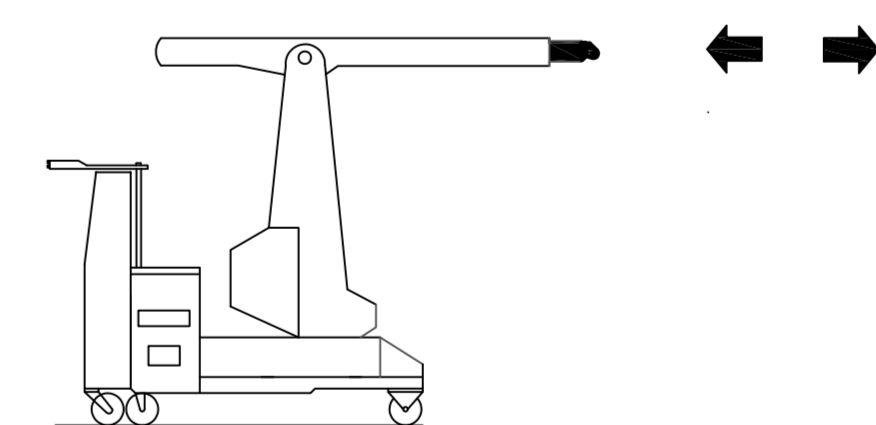
- 1) Proportional hydraulic movement of front/rear traction controlled by controle panel



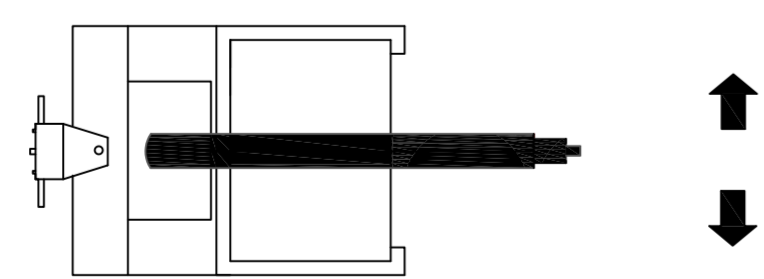
- 2) Proportional hydraulic movement of lift /descent main arm controlled by controle panel and by wireless remote control



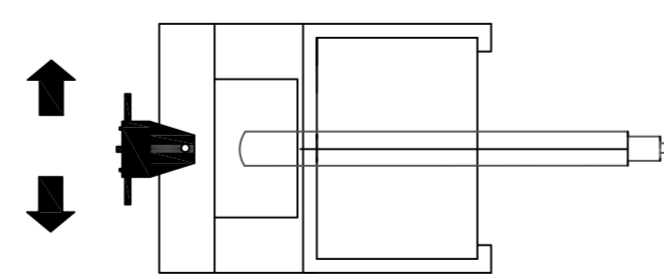
- 3) Proportional hydraulic movement of exit/return telescopic arm controlled by controle panel and by wireless remote control



- 4) Proportional hydraulic movement of left /right main arm rotation controlled by controle panel and by wireless remote control



- 5) Proportional mechanical movement of left /right steering rotation controlled by hands



QUANTITA'	DENOMINAZIONE	RIF. DIS.	POS.	MATERIALE	DIMENSIONI	MODELLO	PESO
	Completivo ELECTRO HYDRAULIC CRANE MODEL GB 300 TR				Scala	Disegnato: 12-07-2019 Controllo: 00-00-2007 Visto: 00-00-2007 Modifico: 00-00-2007	
	Tipologia Sostitutiva II	Modificato					
		Modificato					
		Modificato					